



Intellectual
Property
Office

Certificate of Registration for a UK Design

Design number: 6358272

Grant date: 18 April 2024

Registration date: 09 April 2024

This is to certify that,

in pursuance of and subject to the provision of Registered Designs Act 1949, the design of which a representation or specimen is attached, had been registered as of the date of registration shown above in the name of

Mr. Pankaj Ramanlal Beldar, Mr. Milind Rohidas Bahiram, Mrs. Shubhangi

Rajendra Bhavare

in respect of the application of such design to:

ROBOTIC DEVICE FOR FIRE DETECTION

International Design Classification:

Version: 14-2023

Class: 10 CLOCKS AND WATCHES AND OTHER MEASURING INSTRUMENTS, CHECKING AND SIGNALLING INSTRUMENTS

Subclass: 05 INSTRUMENTS, APPARATUS AND DEVICES FOR CHECKING, SECURITY OR TESTING

Adam Williams

Comptroller-General of Patents, Designs and Trade Marks

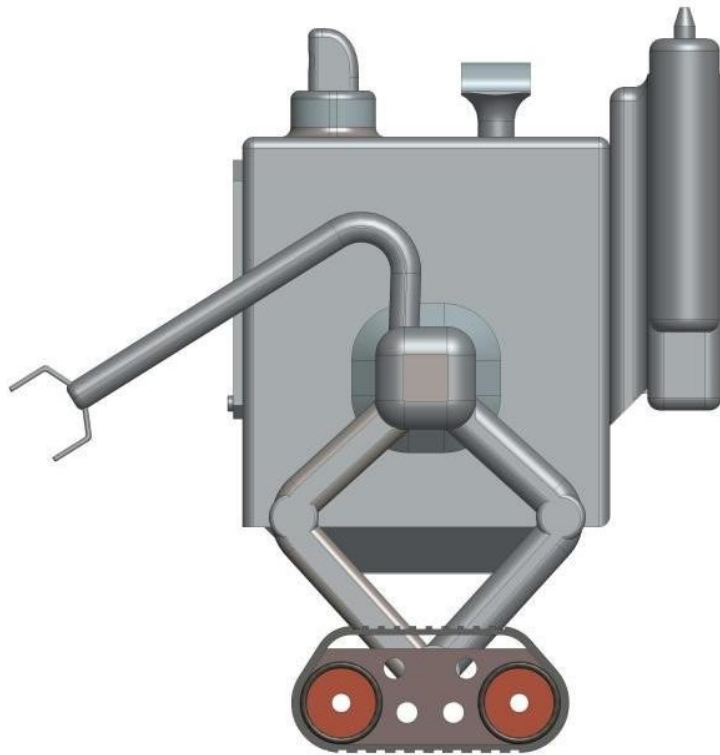
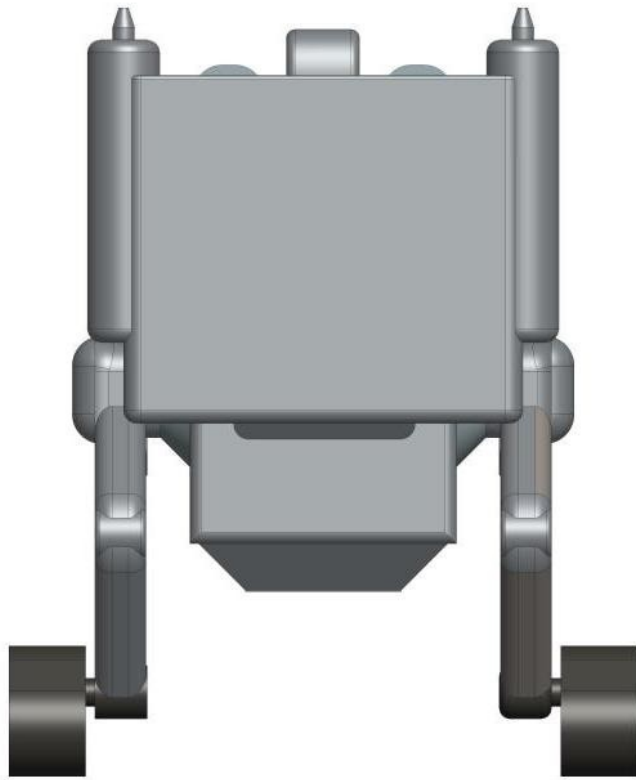
Intellectual Property Office

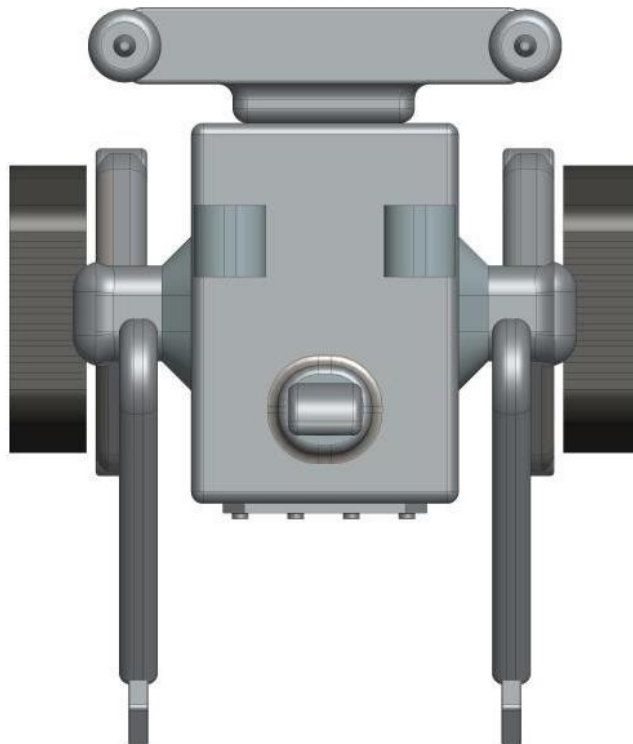
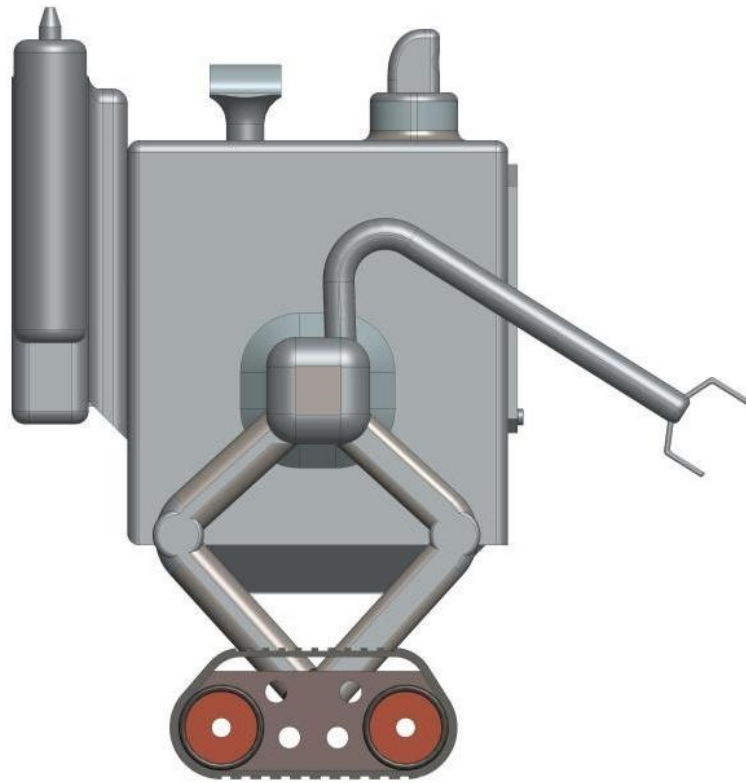
The attention of the Proprietor(s) is drawn to the important notes overleaf.

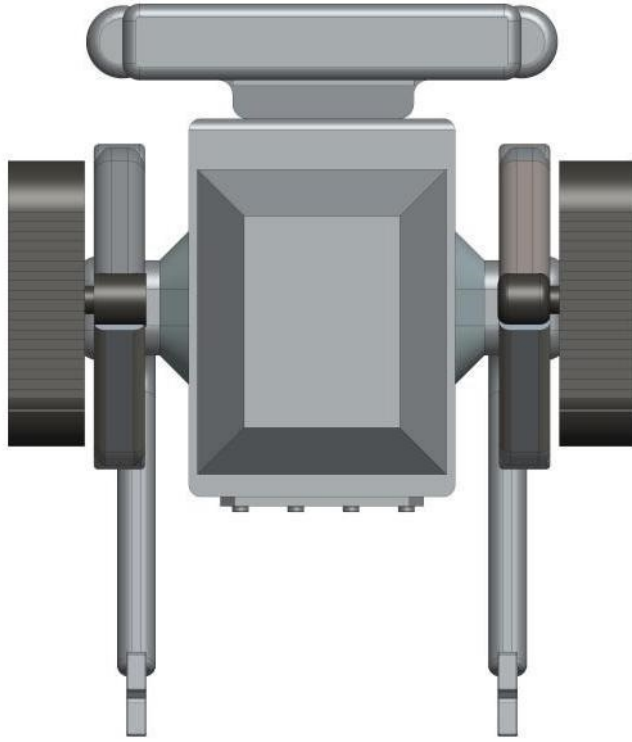


Representation of Designs









Intellectual Property Office is an operating name of the Patent Office

www.gov.uk/ipo